

# FUSEGEAR ELECTRIC NH FUSE LINK

(IEC 60269-2-1; EN60269-2-1; Class: Gg-gL)

Rated Voltage 500V AC

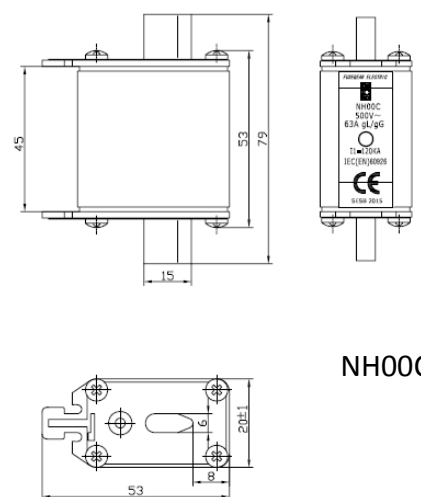
Rated Breaking Capacity 120kA

With Dual Indicators

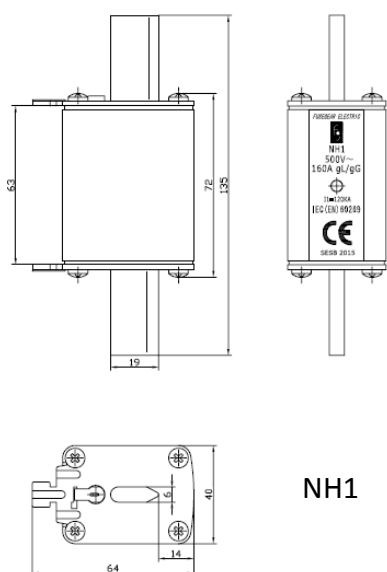


Size	Current Rating (A)	Rated Voltage (V)	Item Code
NH00C	32	500	FSNH-00C-32
	63	500	FSNH-00C-63
NH00	63	500	FSNH-00-63
	100	500	FSNH-00-100
NH1	125	500	FSNH-1-125
	160	500	FSNH-1-160
	200	500	FSNH-1-200
	250	500	FSNH-1-250

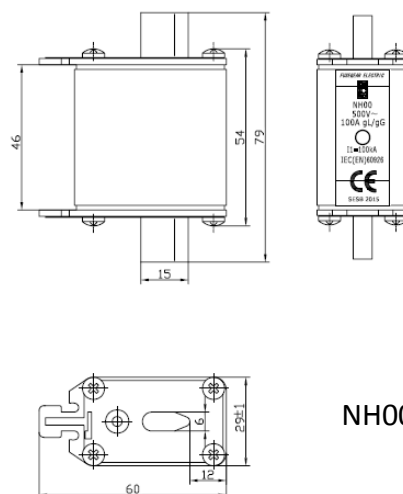
### Sizing Guide:



NH00C



NH1



NH00



**CONWAY**  
Connecting Power

Tel : +6 03 5122 1223  
Fax : +6 03 5121 1109

Email : [ctm@conway.com.my](mailto:ctm@conway.com.my)  
Web : [www.conway.com.my](http://www.conway.com.my)