

MECHANICAL CONNECTOR

A bolted alternative which does not require crimping tool or high operator skill.

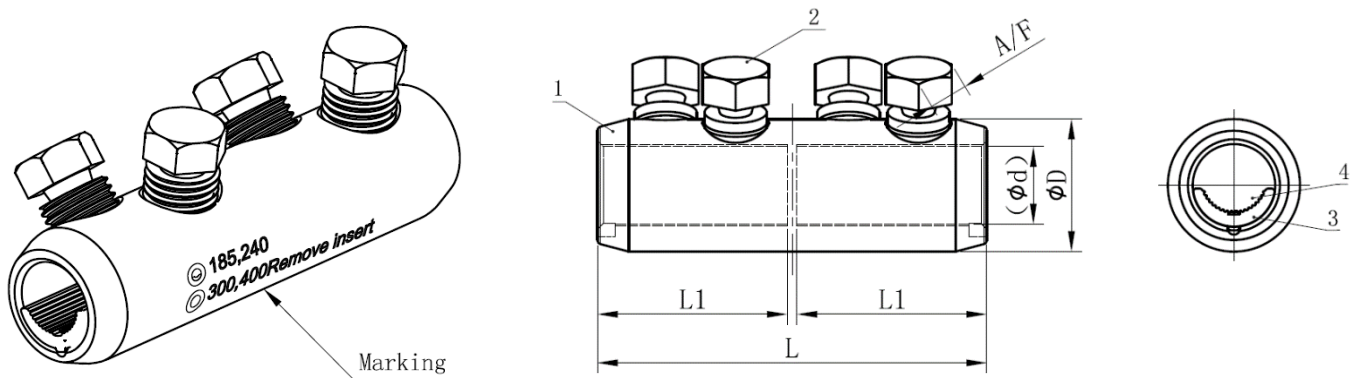
Bolts are torque-controlled to ensure clean and right shear-offs for a good contact.

Made from high strength Aluminium alloy. **Surface is electro tin-plated.**

It is suitable for jointing of Aluminium or Copper cables.

All Ferrules are pre-filled with jointing compound and individually labeled.

Suitable for a wide range of LV and MV applications.



Component List

- 1 – Connector Body (Aluminium alloy)
- 2 – Bolt (Aluminium alloy)
- 3 – Insert (Aluminium alloy)
- 4 – Contact Grease

Conductor Size Range (mm)	Item code	Dimensions (mm)					Number of Bolts
		L	L1	D	d	A/F	
25-95	AFME-GLL25-95/2	70	33.5	24	13.3	13	2
35-150	AFME-GLL35-150/4	106	51.5	28	16	17	4
70-240	AFME-GLL70-240/4	125	61	33	20	19	4
120-300	AFME-GLL120-300/4	140	68	38	24	22	4
185-400	AFME-GLL185-400/6	170	83	42	26	22	6
500-630	AFME-GLL500-630/6	200	97	52	33	24	6

